



LAND BANK OF THE PHILIPPINES

ISO 14001 CERTIFIED

Official Depository of the Republic of the Philippines

BID BULLETIN NO. 7 For ITB No. 2015-3-169(2)

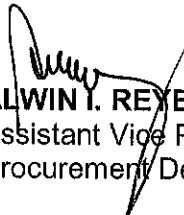
PROJECT : **Supply, Delivery & Installation of Vaults and Safes for
LANDBANK Branches (Subject to Ordering Agreement)**

IMPLEMENTOR : **Procurement Department**

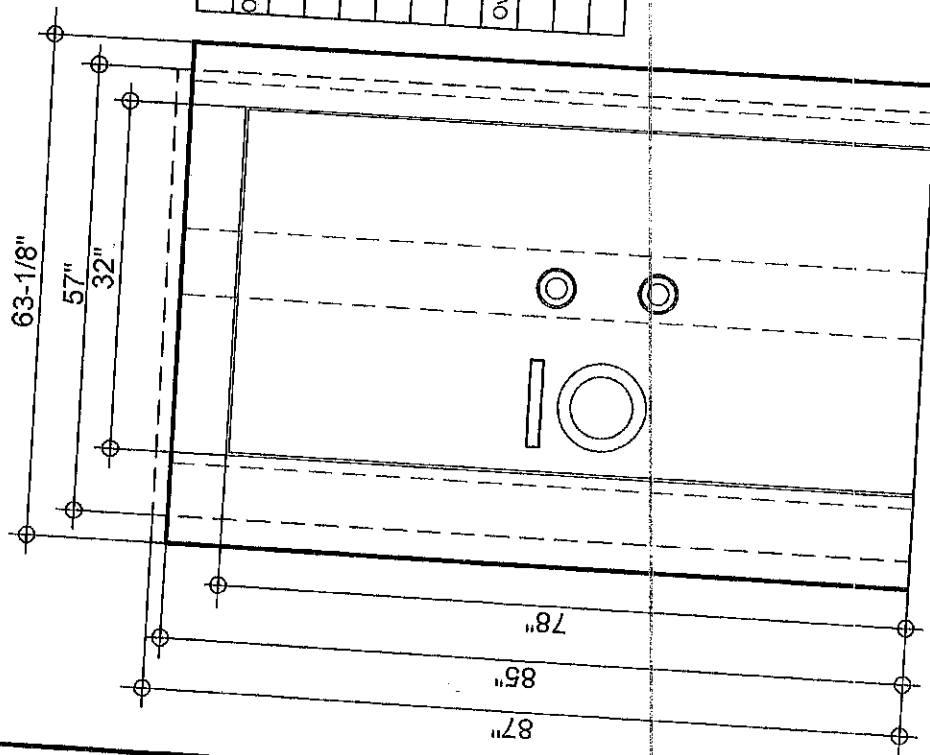
DATE : **March 16, 2016**

This Bid Bulletin is issued to modify, amend or clarify item in the Bid Documents. This shall form an integral part of the Bid Documents.

Specifications of Cash Vault Door, Emergency Vault Door and Vault Ventilator have been revised. Please see attached revised Annexes A1 and A4.


ALWIN I. REYES
Assistant Vice President
Procurement Department

Cash Vault Door



DIMENSION	
Overall Dimensions (w/ architrave)	
H	85"
W	63-1/8"
Masonry Opening	
H	87"
W	57"
Net Door Thickness - 3-1/2"	
Overall Door Thickness - 10-1/4"	
Clear Door Opening	
H	78"
W	32"

NOTES:

- THE SUPPLIER SHALL MAKE AVAILABLE THE ACTUAL UNIT FOR INSPECTION AT THEIR WAREHOUSE PRIOR TO POURING OF THE CONCRETE FILLING MATERIAL.
- THE SUPPLIER SHALL SUBMIT TEST RESULT FOR THE CONCRETE FILLING MATERIAL.

TECHNICAL SPECIFICATIONS:

- Two (2) Hours Fire Resistant
- Clear Opening: 78"H x 32"W
Net Door Thickness: 3-1/2" Thick
Over-all Door Thickness: 10-1/4" Thick
Masonry Opening: 87"H x 57"W
Overall Dimensions(w/architrave): 85"H x 63-1/8"W
Door Swing: 180 degrees right or left
Full torch and drill resistance over the entire face of the door.
Main vault door system
1.2mm thk. stainless steel cladding (hairline finish) with dual component system
Component 1 - Vault door face shall be 1.2mm thk. (Ga.18) stainless steel cladding hairline finish with fire and burglar resistive cement base security insulation with 16mm diam. reinforced steel bar (RSB) Horizontal and Vertical spaced at approximately 150mm both ways and 12mm diam. bars x 75mm spaced @ 300mm.o.c.b.w (traverse) with 3.2mm thk. x 50mm x 50mm steel matting barrier to be filled by cement-based insulation (12,000 psi) minimum
Component 2 - mechanism bed plate - 3mm thk. hot rolled steel for the locking mechanism and time lock; cover should be mounted to consider the accessibility of the locking mechanism/time lock for maintenance and repair.
Day guard Lock - is furnished to keep the locking bar in the unlocked position when door is opened during business hours. Prevents lock-in of customers or employees by accident.
Locking Mechanism - interlocking system shall be continuous steel locking bar type. Locking mechanisms should be made of chromium and is protected with hard-plate per manufacturer's standard.
Locks: the sliding locking bar is controlled by means of two combination locks. Each combination lock is capable of one million combination changes and is installed at an ideal height for easy operation and setting.
Hinges - the cash vault door is equipped with two sturdy bearing for light door swing. Hinge adjustment is provided to raise or lower the door in cases of misalignment.
Grille day gate - for controlled access to the vault during business hours, the vault entrance is provided with a day gate. The gate is equipped with a double cylinder key lock.
Time Lock - lock should be UL listed with 2 movements located at the back of the vault door.
Mounting Height should at least be eye level or approximately 1.40m from finished floor line.
Mechanical Relock - a relocking mechanism attached to the combination lockset which activates when attack is mounted against the lock itself.
Door Stopper - a modern stopper with rubber bumpers is provided for installation in bank floor to prevent accidental slamming of the door to the wall
Net weight - should not exceed 1.5 tons
Cladding - 1.2mm. thk. Stainless Steel hairline finish

1 FRONT VIEW

IDF-1



LANDBANK OF THE PHILIPPINES
PROJECT MANAGEMENT & ENGINEERING DEPT.
CORNER DR. QUINTO ST., MALATE, MANILA

PROJECT TITLE:

Cash Vault Door

RECOMMENDING APPROVAL:

Alexander S. Lazaro
ALEXANDER S. LAZARO
HEAD, PMED

NOTES:

- SUBMIT SAMPLES FOR PMED APPROVAL
- PROVIDE SHOP DRAWINGS FOR PMED APPROVAL PRIOR TO FABRICATION.

DESIGN:

DRAWN BY:

DATE: 01-13-16/02-16-16/22-16

CHECKED BY:

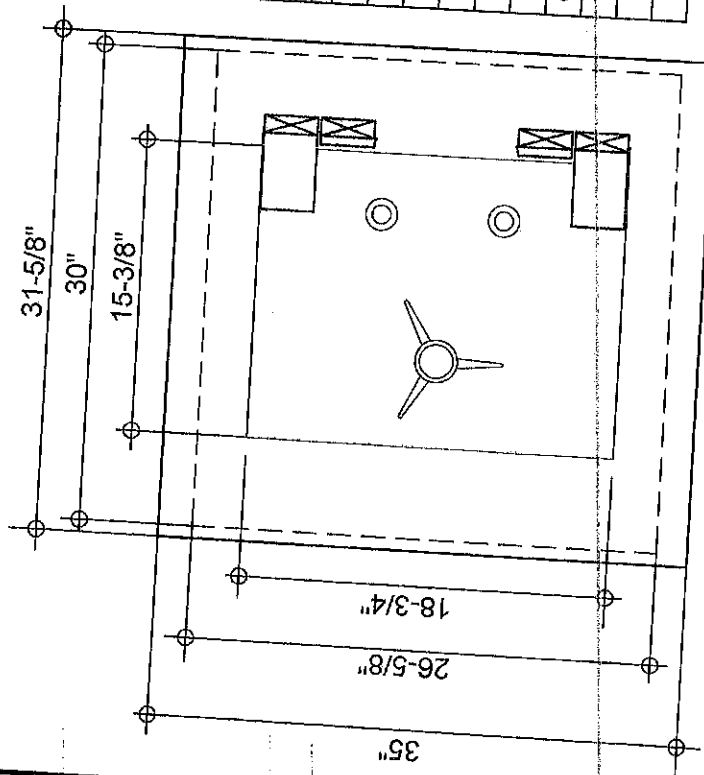
DATE:

SHEET NO.:

1-4

REVISED
3-16-16

Emergency Vault Door



1
IDF-1
FRONT VIEW

- NOTES:
- THE SUPPLIER SHALL MAKE AVAILABLE THE ACTUAL UNIT FOR INSPECTION AT THEIR WAREHOUSE PRIOR TO POURING OF THE CONCRETE FILLING MATERIAL.
 - THE SUPPLIER SHALL SUBMIT TEST RESULT FOR THE CONCRETE FILLING MATERIAL.

TECHNICAL SPECIFICATIONS:

- Two (2) Hours Fire Resistant
- Clear Opening:** 18-3/4" H x 15-3/8"W
Net Door Thickness: 3mm door plate thick
Over-all Door Thickness: 3-1/2" Thick (handle not included)
Masonry Opening: 30"H x 26-5/8"W
Overall Dimensions(w/architrave): 35"H x 31-5/8"W
- Door Swing:** 180 degrees right or left
- Hinges:** made of heavy rolled steel with thrust washer, bolted to door and body.
- Cladding** - 1.2mm (Ga. 18) thk. Stainless Steel (Hairline finish)
- Emergency vault door system**
 1.2mm thk. stainless steel cladding with dual component system
Component 1 - Vault door face shall be 1.2mm thk. stainless steel cladding with hairline finish with fire and burglar resistive cement base security insulation with 12mm diam. reinforced steel bar (RSB) Horizontal and Vertical spaced at approximately 150mm bothways and 12mm diam. bars x 75mm spaced @ 300mm.o.c.b.w (traverse) with 3.2mm thk. x 50mm x 50mm steel matting barrier to be filled by cement-based insulation (12,000 psi) minimum

Component 2 - mechanism bed plate - shall be 3mm thk hot rolled steel for the locking mechanism and time lock; backing cover should be mounted to consider the accessibility of the locking mechanism/time lock for maintenance and repair.
- Locks** - the sliding locking bolt is controlled by means of two combination locks. Each combination is capable of one million combination changes and is installed at an ideal height for easy operation and setting.
- Mechanical Relock** - a rclcking mechanism attached to the combination locksets which activates when attack is mounted against the lock itself.
- Thermal Lock** - a relocking mechanism will activate when fire occurs and the temperature reaches 370 degrees Fahrenheit.
- Net weight:** 260 kg.

DIMENSION	
Overall Dimensions (w/ architrave)	
H	35"
W	31-5/8"
Masonry Opening	
H	30"
W	26-5/8"
Net Door Thickness - 2-5/8"	
Overall Door Thickness - 3-1/2"	
Clear Door Opening	
H	18-3/4"
W	15-3/8"

PROJECT TITLE

Emergency Vault Door

LAND BANK OF THE PHILIPPINES
 PROJECT MANAGEMENT & ENGINEERING DEPT.
 1888 M. H. DEL PILAR ST.,
 CORNER DR. QUINTO ST., MALATE, MANILA



RECOMMENDING APPROVAL:

Alexander S. Lazaro
 ALEXANDER S. LAZARO
 Head, PMED

NOTES:

- SUBMIT SAMPLES FOR FINED APPROVAL
- DRAWINGS FOR FINED APPROVAL PRIOR TO FABRICATION.

DESIGN:

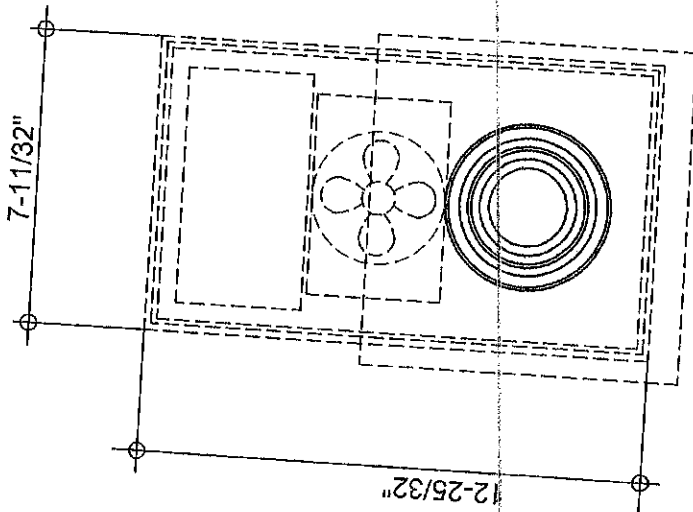
DRAWN BY:
 DATE: 01-13-2002-16:02:25-16
 03-10-16
 CHECKED BY:
 DATE:

SHEET NO.

2-4

REVISED
 3-16-16

Vault Ventilator



1
IDF-1
FRONT ELEVATION

TECHNICAL SPECIFICATIONS:

1. The emergency vault ventilator consists of a heavy steel tube welded to a steel housing containing the components. Within the housing are fan motor, switching and locking mechanism and a light.
2. The exterior face plate is stainless steel cladding matte finish and measures 12-25/32" H x 7-11/32"W. The exposed sides, top and bottom are painted silver metallic. Operating instruction is printed on a stick-on plastic plate mounted on the face plate cladding. One low voltage light bulb is provided for the illumination of these instructions at all times.
3. The fan motor operates on 220 volts AC, the switch is actuated when the knob located at the interior face plate is being pushed.
4. The emergency vault ventilator is designated to fit all standard wall thickness from 12" to 15" thick finished.
5. Provides life supporting air to Vault in the event of accidental or forced entrapment.
6. Continuous Fresh Air - once activated, the 220 volt fan of the ventilator will continuously supply fresh air to the vault.
7. Illuminated Panel - the operating instruction panel on the vault ventilator is constantly illuminated, providing a constant source of working light and helping to reduce fear and anxiety in an already nerve-shattering atmosphere. This light functions independently of the main vault lighting, thereby providing light even when the central lighting source is inoperable.
8. Easy operation - simply turn the knob counter clockwise and pull the locking bar in a horizontal position and from the fan and allowing oral communication with the outside. Push the bar forward completely through the housing, and the 3" diam. passage for food and medical supplies will open.
9. Ultimate in Space Saving - emergency vault ventilator is designed so that it may be installed into the wall or through the vault door architrave, still using only a minimum space.
10. Maintains Insurance Rates - can be installed easily in existing vaults or in new construction. Its installation does not effect the basis of vault insurance classification. In addition to a steel plug that seals the exterior opening, the control housing contains 3/4" of steel plate. When the installation is recessed within the vault wall, displacement of concrete is compensated by the equivalent steel thickness.
11. Pass thru Port - this emergency vault ventilator has a 3" diam. hole through the vault wall. This opening is normally blocked by a solid steel plug that is removable by someone on the inside of the vault only, may be used for passage of medical supplies, foods and tools.

NOTES:
THE SUPPLIER SHALL MAKE AVAILABLE THE ACTUAL UNIT FOR INSPECTION AT THEIR WAREHOUSE.



LANDBANK OF THE PHILIPPINES
PROJECT MANAGEMENT & ENGINEERING DEPT.
1886 M. H. DEL PILAR ST.,
CORNER DR. QUINTO ST., MALATE, MANILA

PROJECT TITLE

Vault Ventilator

RECOMMENDING APPROVAL:

Alexander S. Lazaro
ALEXANDER S. LAZARO
HEAD, PIMED

NOTES:

1. SUBMIT SAMPLES FOR PIMED APPROVAL
2. PROVIDE SHOP DRAWINGS FOR PIMED APPROVAL PRIOR TO FABRICATION.

DESIGN:

DRAWN BY:

DATE: 01-13-1972-18-16/2-22-16

CHECKED BY:

DATE:

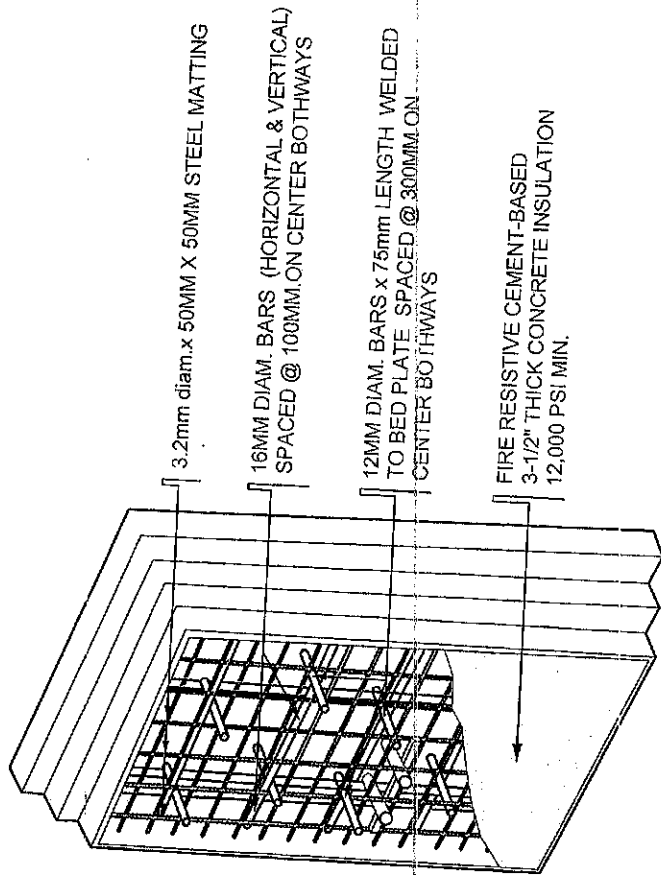
SHEET NO.:

3-4

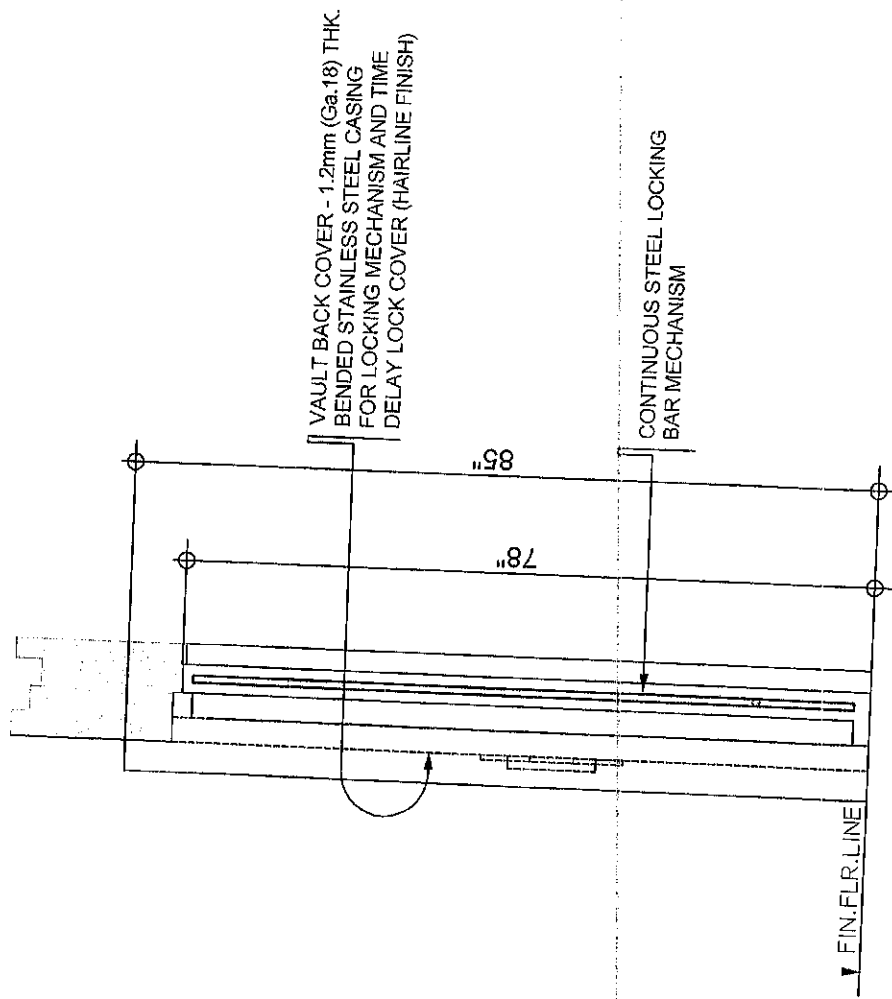
REVISED 3.10.16

NOTES:

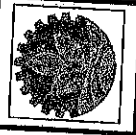
- THE SUPPLIER SHALL MAKE AVAILABLE THE ACTUAL UNIT FOR INSPECTION AT THEIR WAREHOUSE PRIOR TO POURING OF THE CONCRETE FILLING MATERIAL.
- THE SUPPLIER SHALL SUBMIT TEST RESULT FOR THE CONCRETE FILLING MATERIAL.



1
IDF-1
SECTION OF COMPONENT 1



1
IDF-1
SECTION OF VAULT DOOR



LANDBANK OF THE PHILIPPINES
PROJECT MANAGEMENT & ENGINEERING DEPT.
1588 M. H. DEL PUERTO ST.,
CORNER DR. QUINTO ST., MALABATE, MANILA

DETAIL SECTIONS

PROJECT TITLE:

RECOMMENDING APPROVAL

Alexander S. Lazaro
ALEXANDER S. LAZARO
HEAD, PMED

NOTES:

1. SUBMIT SAMPLES FOR PMED APPROVAL.
2. PROVIDE SHOP DRAWINGS FOR PMED APPROVAL PRIOR TO FABRICATION.

DESIGN:

DRAWN BY:

DATE: 07-18-16/02-16-16/2-22-16

CHECKED BY:

DATE:

SHEET NO.:

4-4

REVISED 3.16.16